

## ANKERSMID sample probe ASP 611/613/622 Series



### Application

The ASP gas sample probes are designed for continuous gas sampling in difficult processes with gases of high or low dust content, different temperatures and extreme humidity.

### Description

Due to its modular design and various options, the Ankersmid heated sample probe filters cover the widest range of applications. In the heated filter body a filter element of 150mm length, suitable for most applications up to 1g dust/m<sup>3</sup>, is integrated. A 180mm long filter with an outer diameter of 40mm and made of stainless steel can be optionally used for applications up to 4g dust/m<sup>3</sup>; with the blow-back function dust loads of up to 10g/m<sup>3</sup> can be handled. For even higher dust loads, a primary filter has to be positioned as pre-filter.

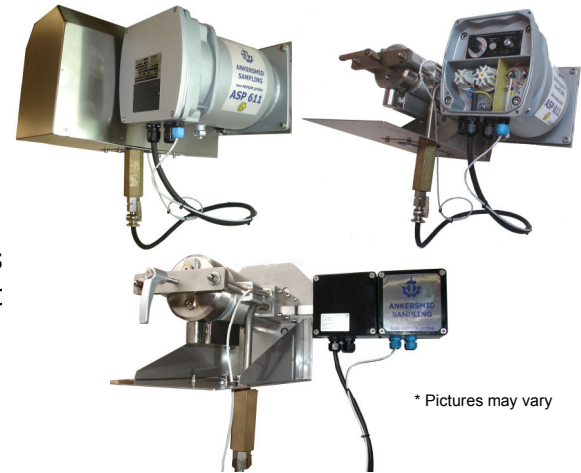
A significant advantage is that all filters are replaceable without dismantling the probe without using any tools and in the shortest possible time. Cleaning and exchanging of unheated sample tubes or preliminary top-filters can be affected by extracting the filter from the probe.

The probe temperature with Exd-temperature sensor type Pt100 is controlled by an ATEX-certified controller-limiter unit with temperature alarm.

The probe is delivered with valid ATEX-certificates for all electrical components.

The following features are offered for all probes:

- Test gas can be injected directly into the probe according to EN14181 (regulation for calibration of emission monitoring systems) that enables calibration gas feeding via the filter element of the gas sample probe.
- Test gas can be injected into the probe through a check valve directly to the sample outlet so that no calibration gas is lost to the stack.
- An isolation valve with pneumatic control shuts off the sample outlet from the internal filter area in case of blow-back.
- Cleaning of filter and the sample tube through a high-flow inlet ports so less maintenance is necessary in high dust load applications. This inlet can be controlled by pneumatic or electric valves, and also in combination with a volume chamber for high pressure flow.



\* Pictures may vary

- **Retractable inner probe body for easy change of pre-filter and/or (unheated) sample tube without dismantling the probe**
- **Back-flush/calibration possibility as standard**
- **Test gas connection according to EN14181 for calibration/test gas feeding via filter element optional**
- **Very universal applicability**
- **Compact and modular design suited for most applications**
- **Universal support for heated sample line by pre-lasered cut-outs for M40-gland connection in the bottom plate and additional optional clamp**
- **Reduce operator exposure to safety risks**
- **Easy mounting**
- **Easy maintenance**
- **Patented construction**



**ANKERSMID Sample probe**  
ASP 611/613/622 Series



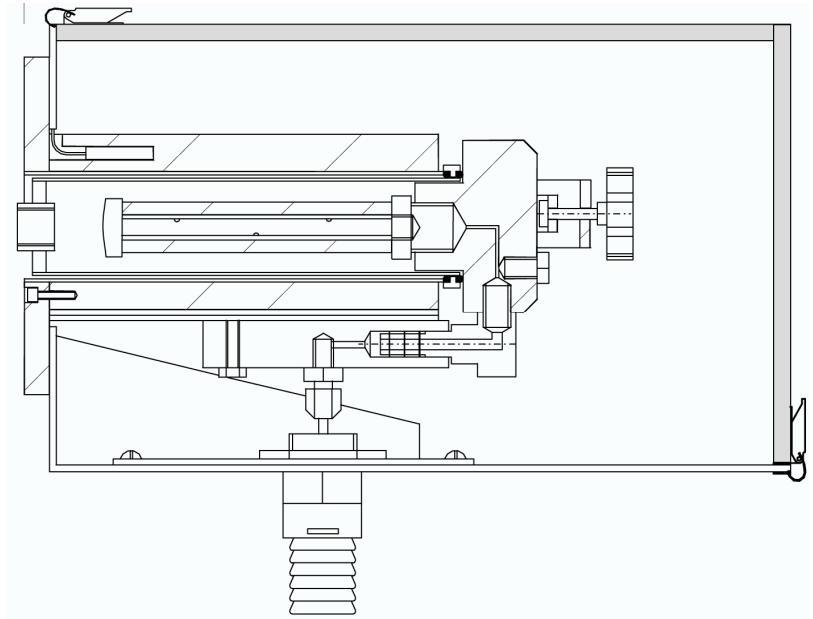
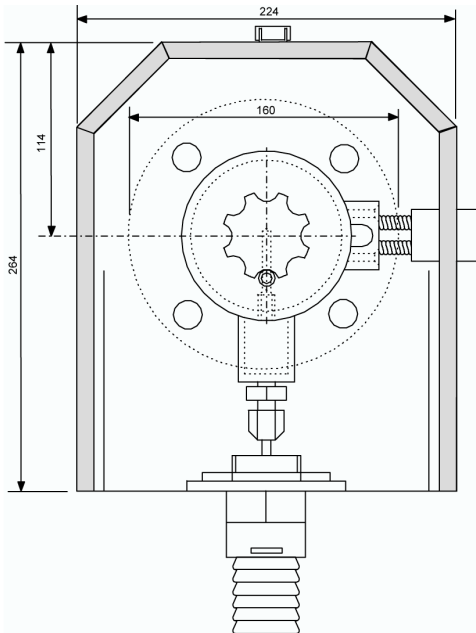
**Technical data**

Gas Sample Probe Version	ASP 611	ASP 613	ASP 622
Integrated filter length	150mm		
Integrated back flush	optional		
Protective cover	yes		
Electrical Terminal box	IP54		
Gas wetted Materials	Stainless steel 316, ceramics		
Sealing materials	FPM Viton®		
Max. dust loading	1g/m <sup>3</sup> (with back purge: 10g/m <sup>3</sup> )		
Max. sample temperature	+180°C		
Time before ready for use	Approx. 45 minutes		
Sample pressure max.	0,5-6 bar abs.		
Ambient temperature	-20°C to +65°C		
Filter chamber volume	300cm <sup>3</sup>		
Filter element porosity	2µm		
Filter element material	Ceramics		
Thermostatic Control	0-180°C, Exd-Pt100		
Electronic Controller	Electronic controller		
Mounting area of controller	inside Ex-zone 1, 2, 21, 22	outside Ex-zone	
Temperature alarm contact	<120°C, 1 change-over contact, 230V 1,5AAC, 0,5ADC		
Sample gas outlet	¼" NPT f		
Test gas connection (option)	¼" NPT f		
Back flush connection (Option)	¼" NPT f		
Power supply	230VAC/400W (standard), 115VAC/400W		
Electrical connections	3 x 1,5mm <sup>2</sup>		
Electrical equipment standard	EN60529		
Marking	II2G EEx d e ib IIC T3	II3G, Ex nR IIB T3	
Mounting flange	DN65 PN6B, SS316 other connections optional or on request		
Weight	±20 kg		
Overall dimensions	~ 440 x 470 x 360mm (w x h x d)		



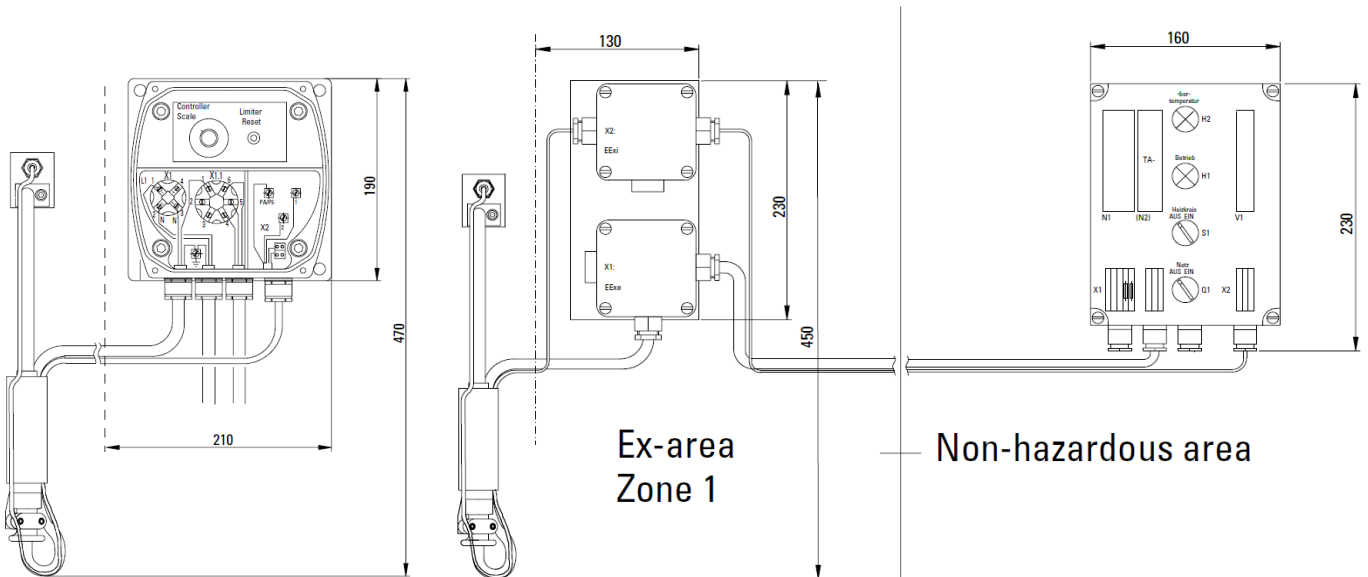
**ANKERSMID Sample probe**  
ASP 611/613/622 Series

**Dimensions**



**ANKERSMID Sample probe**  
ASP 611/613 Series

**Controller**



Sample probe type ASP 611 controller

Sample probe type ASP 613 controller